



Project: RAB2000 Rabbit Development Board
for the RCM2100 Family of Modules

Title: **RAB2000 Development
Board Schematic**

Doc Number: RAB2-SCH-010
Revision: 1.01

Classification: Released to Public

www.CardLabs.com

CARD LABS Calgary, Alberta	RAB2000 Development Board Schematic		
	RAB2-SCH-010	Revision: 1.01	

DOCUMENT CLASSIFICATION

This document is released by Card Labs to the general public. Card Labs retains all copyright and rights to the information contained in this document. It may be freely reproduced and distributed in unmodified form with all Card Labs company identification and copyright information intact.

This document is intended for unlimited circulation to the general public.

The information in this document is believed to be correct at the time of publication but no guarantees are made as to its correctness or its suitability to a particular application.

The information contained in this document is subject to change without notice and should not be construed as a commitment by Card Labs unless such commitment is expressly given in a covering document.

© Copyright 2003, Card Labs, All Rights Reserved

For more information, please contact:

Card Labs

132 Harvest Park Way NE,
Calgary, Alberta, Canada T3K 4K7

Tel: (403) 567-9328

Fax: (403) 567-9329

info@cardlabs.com

<http://www.cardlabs.com>

REVISION HISTORY

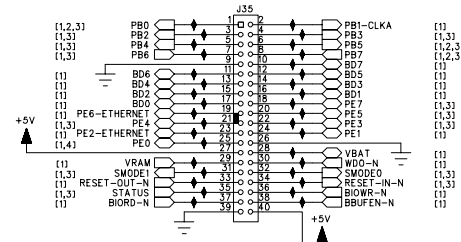
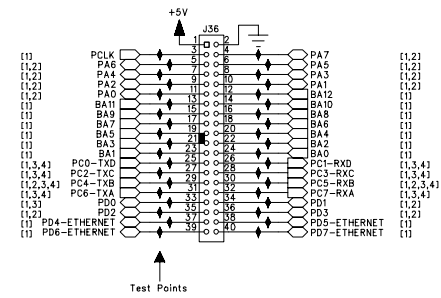
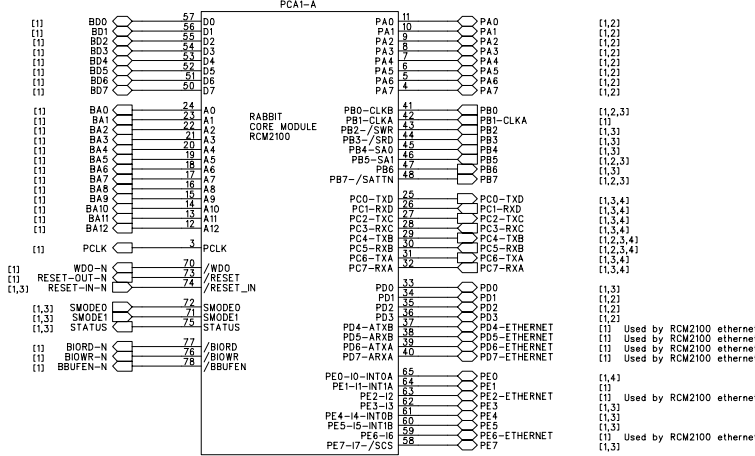
Rev.	Date	Description	Author
1.00	4 June 2003	Schematic released for PCB-9-1.00.	Scot Kornak
1.01	3 July 2003	Model 100, model 200, optional, and not installed components identified.	Scot Kornak

Print Date: 18 July 2003

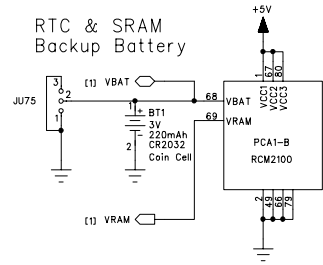
CARD LABS Calgary, Alberta	RAB2000 Development Board Schematic		
	RAB2-SCH-010	Revision: 1.01	

Rabbit Core Module With Ethernet

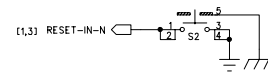
RCM2100 Core Module Signals
2x20 DIL Headers, 0.1" Spacing



RTC & SRAM Backup Battery

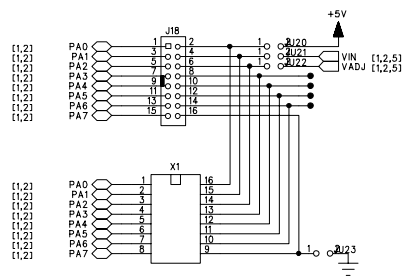


Reset Button

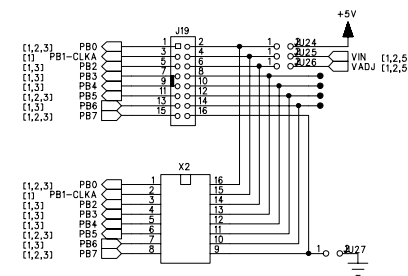


IO Expansion Connectors
DIP16 Sockets & 2x8 Headers

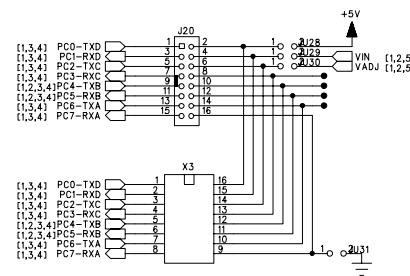
Port A



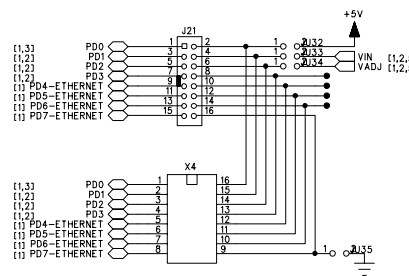
Port B



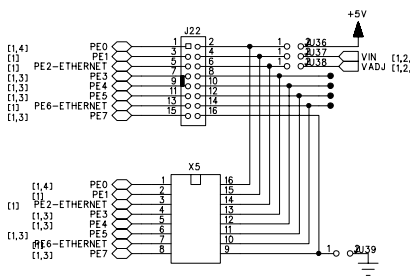
Port C



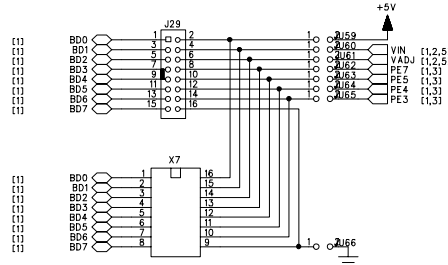
Port D



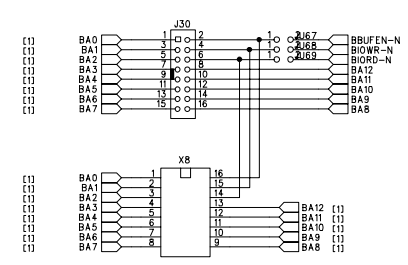
Port E



Data Bus



Address Bus



REV.	DATE	ECO NUMBER (DESCRIPTION)	APPR'D
1.01	Jul03	PCB Released	SK

DESIGNED	DATE
Scot Kornak	3 Feb 03
DRAWN	DATE
Scot Kornak	18 Apr 03
CHECKED	DATE
Scot Kornak	26 May 03
APPROVED	DATE
Scot Kornak	26 May 03

Card Labs
www.cardlabs.com

This document is released by Card Labs to the general public. Card Labs retains all copyright and rights to the information contained in this document. It may be freely reproduced and distributed in unmodified form with all Card Labs company identification and copyright information intact.
(C) Copyright 2003, Card Labs, All Rights Reserved

CLASSIFICATION
RELEASED TO PUBLIC

TITLE
**RAB2000
Rabbit RCM2100
Dev Board**

SSI DRAWING NUMBER - REVISION
RAB2-SCH-010-1.01

DRAWING IS FOR PART NUMBER - REVISION
PCB-9-1.00

REV.	DATE	ECO NUMBER (DESCRIPTION)	APPR'D
1.01	Jun 03	LCD bias trimmer added.	SK

DESIGNED	DATE
Scot Kornak	3 Feb 03
DRAWN	DATE
Scot Kornak	18 Apr 03
CHECKED	DATE
Scot Kornak	26 May 03
APPROVED	DATE
Scot Kornak	26 May 03

Card Labs
www.cardlabs.com

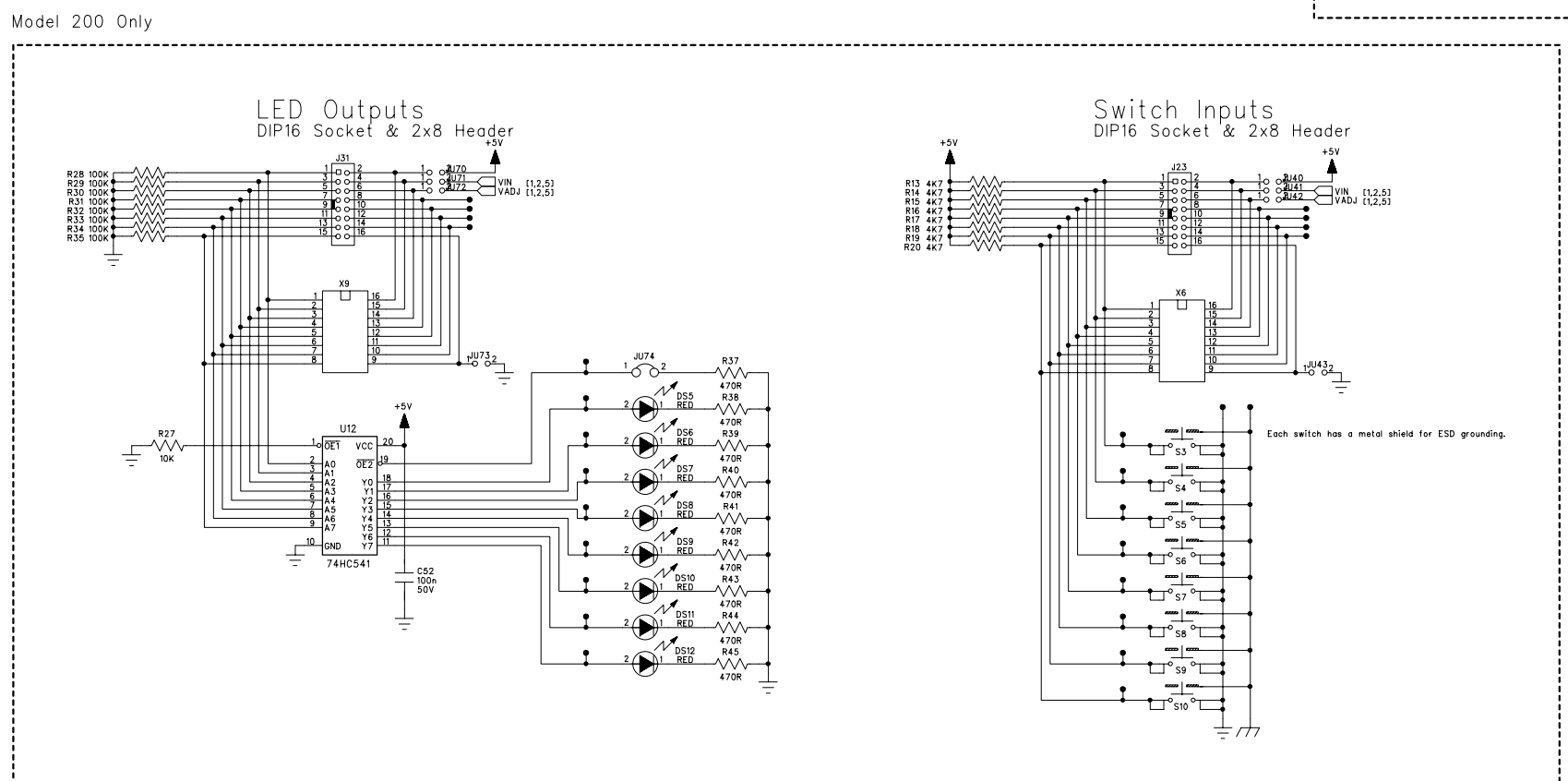
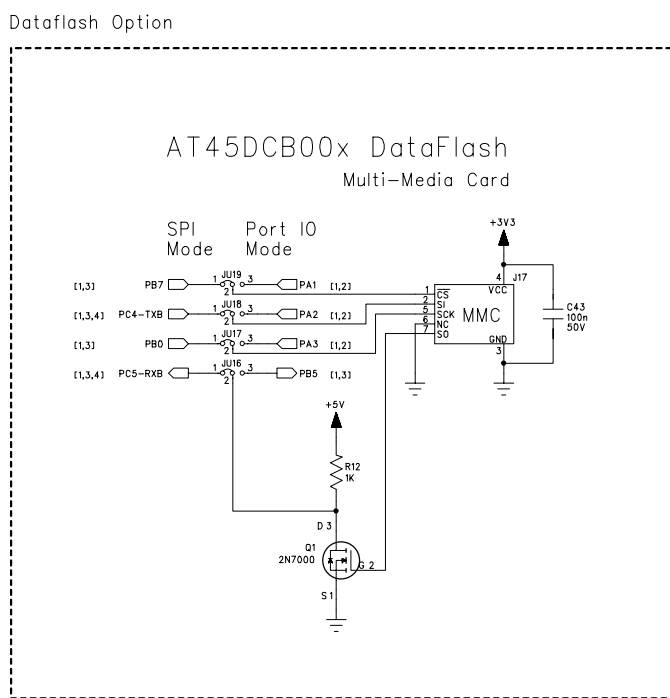
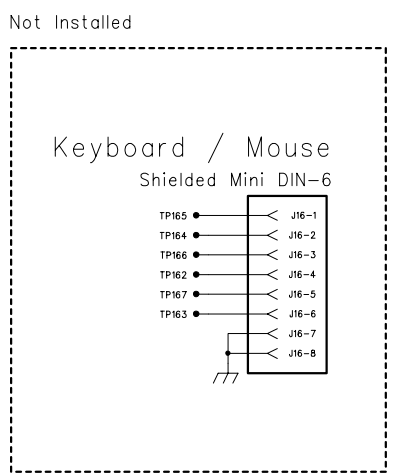
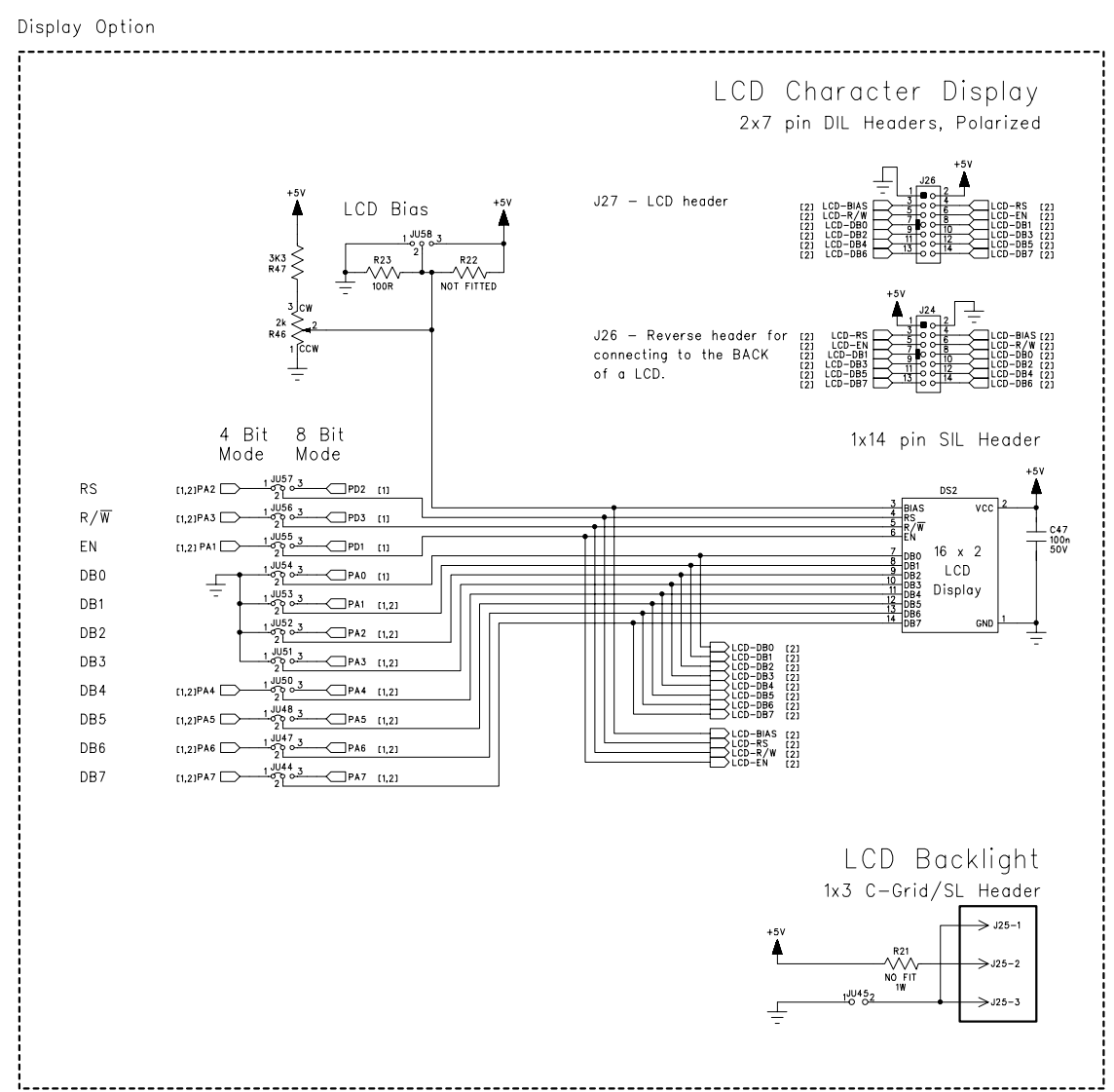
This document is released by Card Labs to the general public. Card Labs retains all copyright and rights to the information contained in this document. It may be freely reproduced and distributed in unmodified form with all Card Labs company identification and copyright information intact.
(C) Copyright 2003, Card Labs, All Rights Reserved

CLASSIFICATION
RELEASED TO PUBLIC

TITLE
**RAB2000
Rabbit RCM2100
Dev Board**

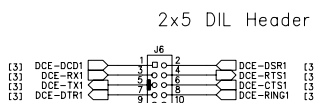
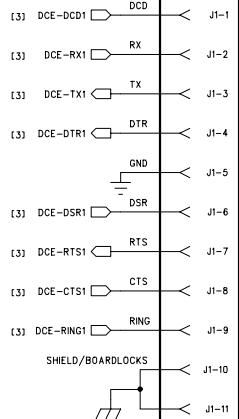
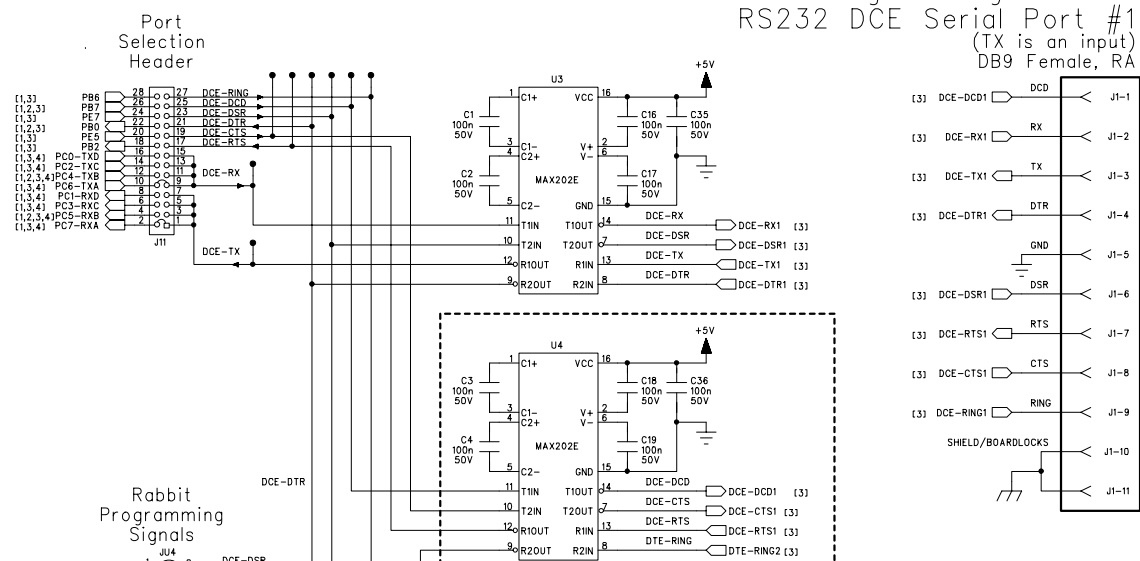
SSI DRAWING NUMBER - REVISION
RAB2-SCH-010-1.01

DRAWING IS FOR PART NUMBER - REVISION
PCB-9-1.00

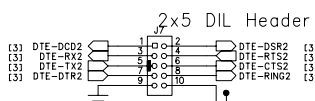
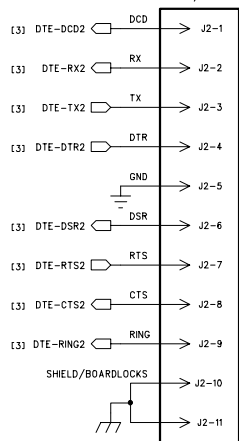
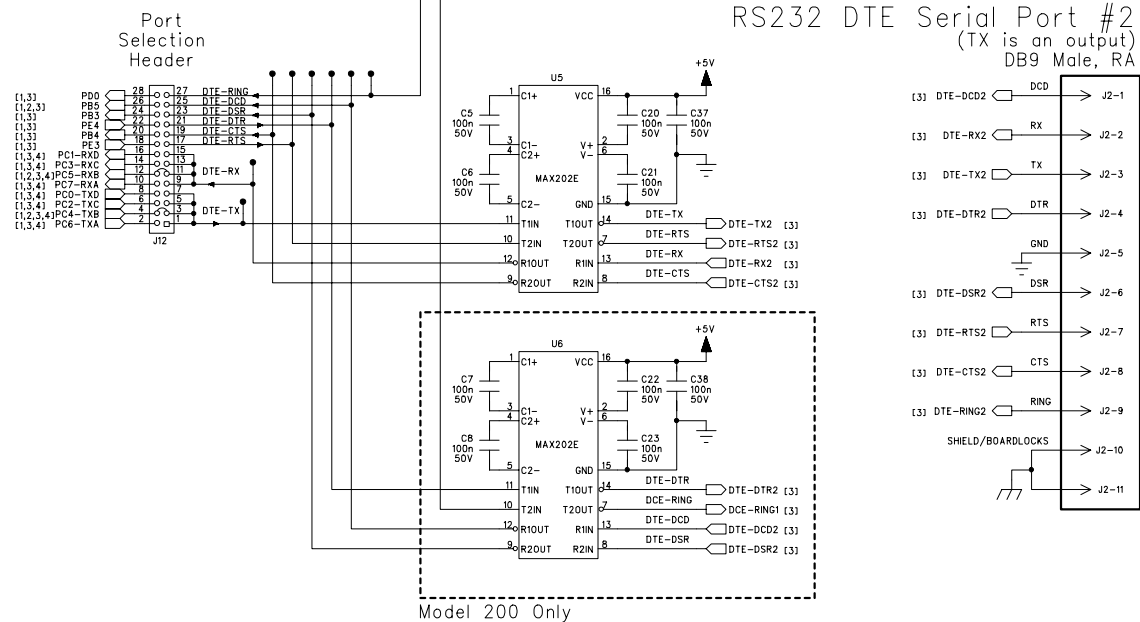


* = Part fitted to incorrect decal. & = Part added as salvage. X = track cut.

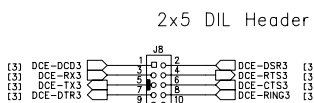
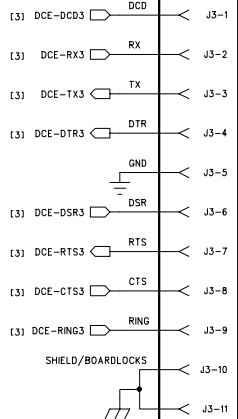
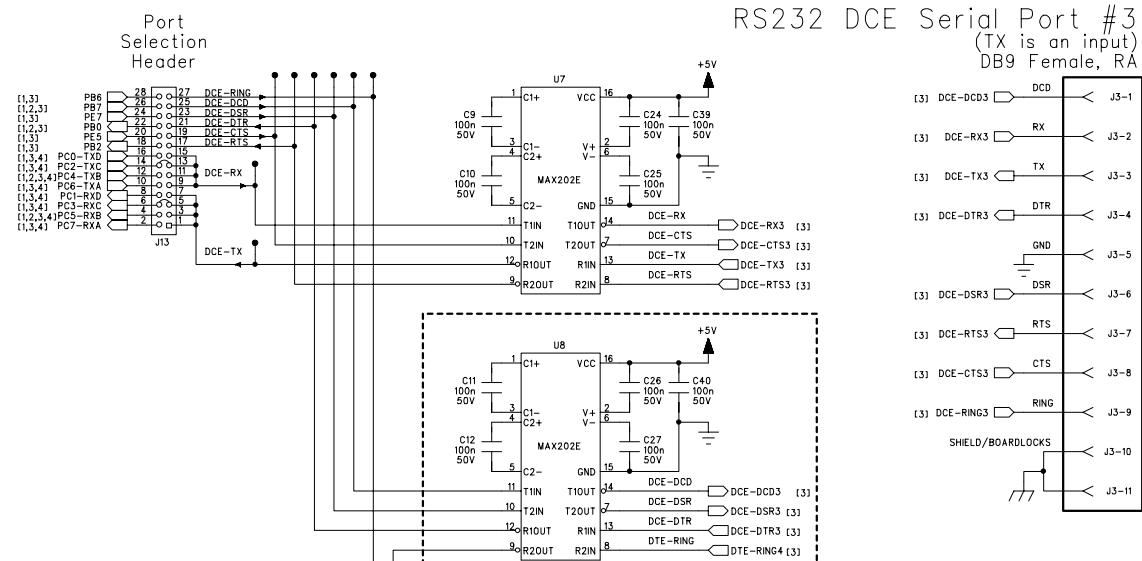
Programming Port or RS232 DCE Serial Port #1 (TX is an input) DB9 Female, RA



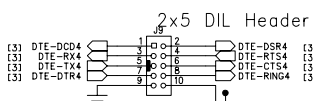
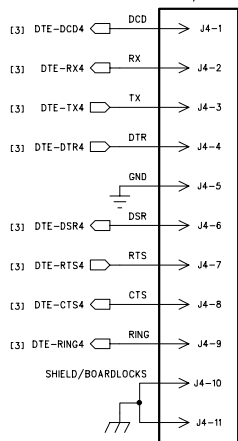
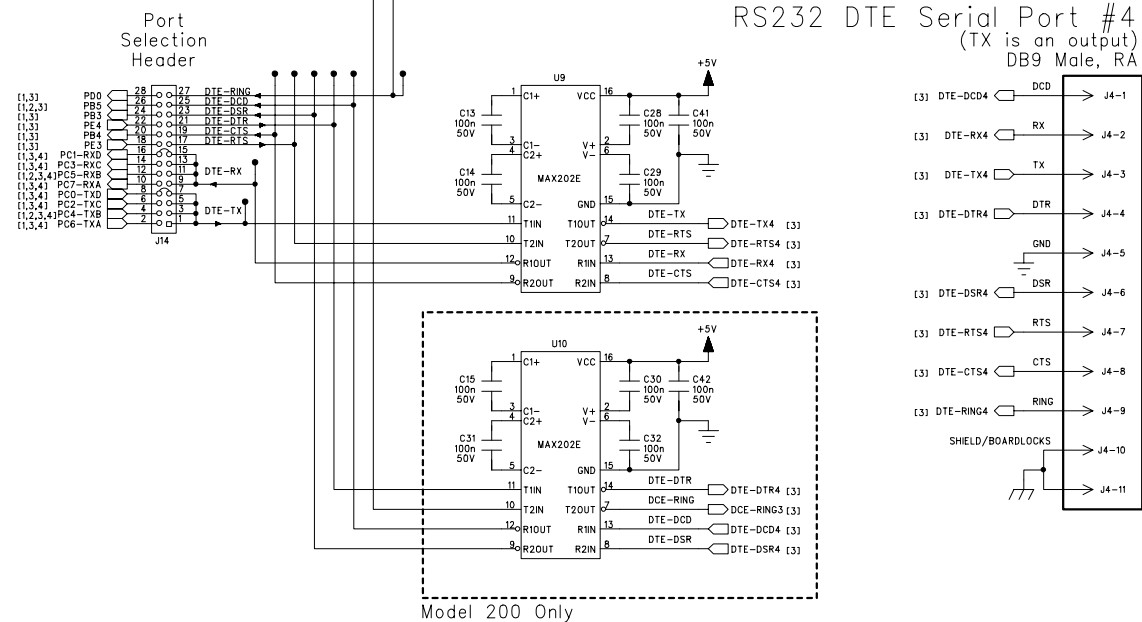
RS232 DTE Serial Port #2 (TX is an output) DB9 Male, RA



RS232 DCE Serial Port #3 (TX is an input) DB9 Female, RA



RS232 DTE Serial Port #4 (TX is an output) DB9 Male, RA



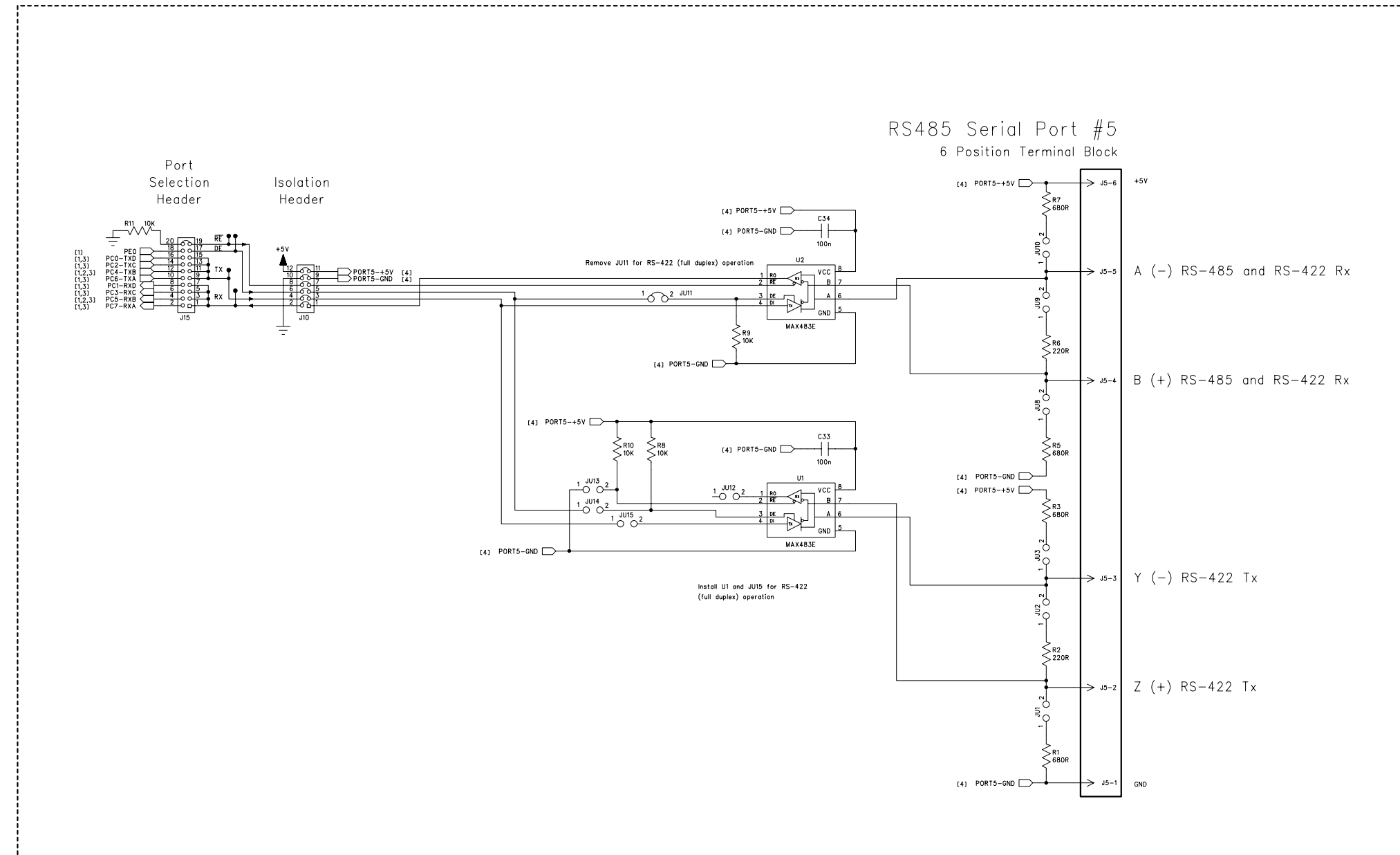
REV.	DATE	ECO NUMBER (DESCRIPTION)	APPR'D

DESIGNED	Scot Kornak	DATE	3 Feb 03
DRAWN	Scot Kornak	DATE	18 Apr 03
CHECKED	Scot Kornak	DATE	26 May 03
APPROVED	Scot Kornak	DATE	26 May 03

CLASSIFICATION	RELEASED TO PUBLIC
TITLE	RAB2000 Rabbit RCM2100 Dev Board
SSI DRAWING NUMBER - REVISION	RAB2-SCH-010-1.01
DRAWING IS FOR PART NUMBER - REVISION	PCB-9-1.00

* = Part fitted to incorrect decal. & = Part added as salvage. X = track cut.

Model 200 Only



REV.	DATE	ECO NUMBER (DESCRIPTION)	APPR'D

DESIGNED Scot Kornak	DATE 3 Feb 03
DRAWN Scot Kornak	DATE 18 Apr 03
CHECKED Scot Kornak	DATE 26 May 03
APPROVED Scot Kornak	DATE 26 May 03

Card Labs
www.cardlabs.com

This document is released by Card Labs to the general public. Card Labs retains all copyright and rights to the information contained in this document. It may be freely reproduced and distributed in unmodified form with all Card Labs company identification and copyright information intact. (C) Copyright 2003, Card Labs, All Rights Reserved

CLASSIFICATION
RELEASED TO PUBLIC

TITLE
RAB2000
Rabbit RCM2100
Dev Board

SSI DRAWING NUMBER - REVISION
RAB2-SCH-010-1.01

DRAWING IS FOR PART NUMBER - REVISION
PCB-9-1.00

